

NOTICE OF  
CHANGE

INCH-POUND

MIL-STD-1913  
NOTICE 1  
10 June 1999

MILITARY STANDARD

DIMENSIONING OF ACCESSORY MOUNTING RAIL  
FOR SMALL ARMS WEAPONS

TO ALL HOLDERS OF MIL-STD-1913:

1. THE FOLLOWING PAGE OF MIL-STD-1913 HAS BEEN REVISED AND  
SUPERSEDE THE PAGE LISTED:

NEW PAGE	DATE	SUPERSEDED PAGE	DATE
4	10 JUNE 1999	4	3 FEBRUARY 1995

2. RETAIN THIS NOTICE AND INSERT BEFORE TABLE OF CONTENTS.

3. Holders of MIL-STD-1913 will verify that page changes and additions indicated above have been entered. This notice page will be retained as a check sheet. This issuance, together with appended page, is a separate publication. Each notice is to be retained by stocking points until the standard is completely revised or canceled.

Custodians:  
Army - AR

Preparing Activity:  
Army - AR

(Project 1005-0867)

FSC 1005

DISTRIBUTION STATEMENT A. Approved for public release; distribution is unlimited.

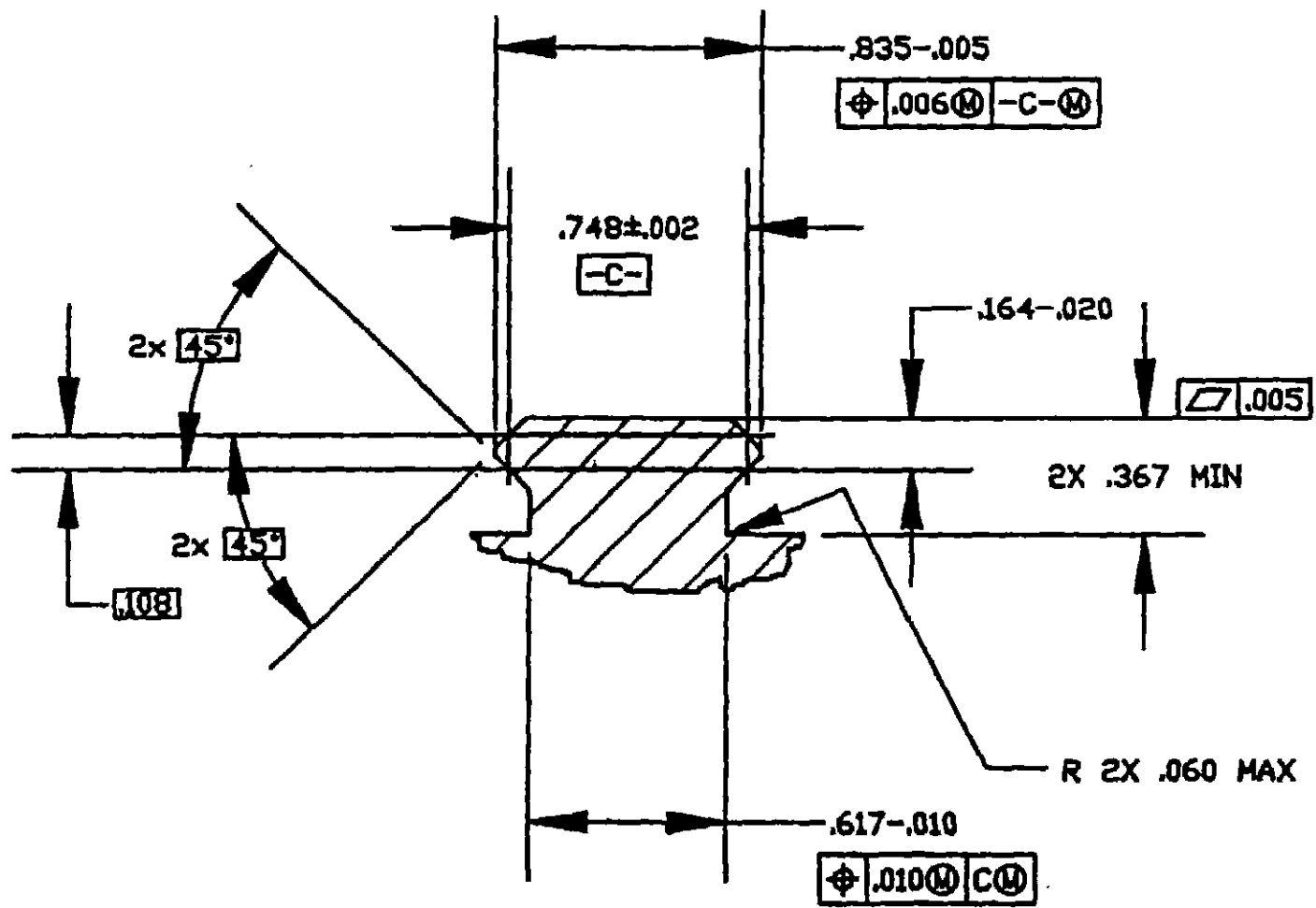


FIGURE 1. ACCESSORY MOUNTING RAIL PROFILE